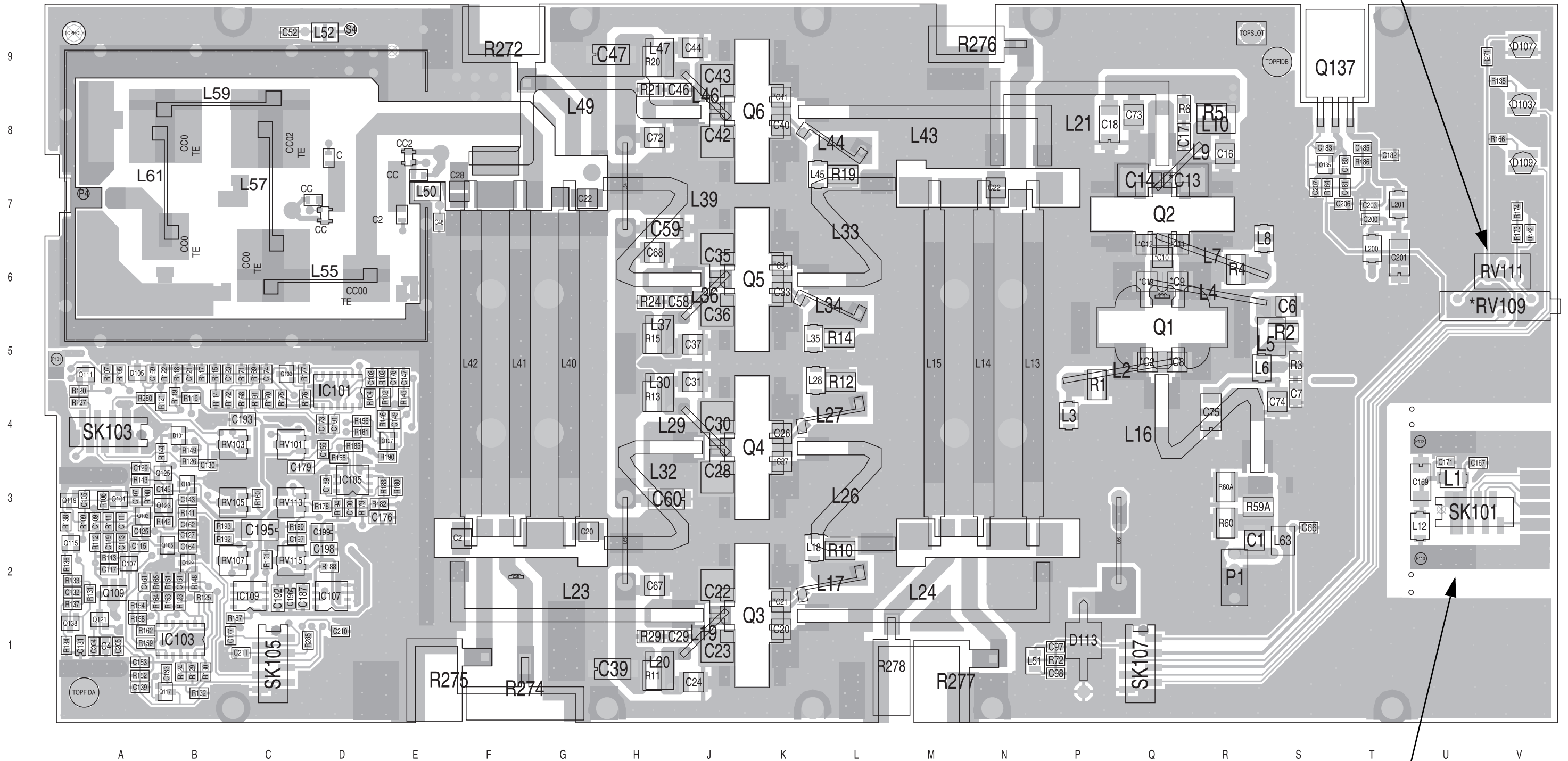
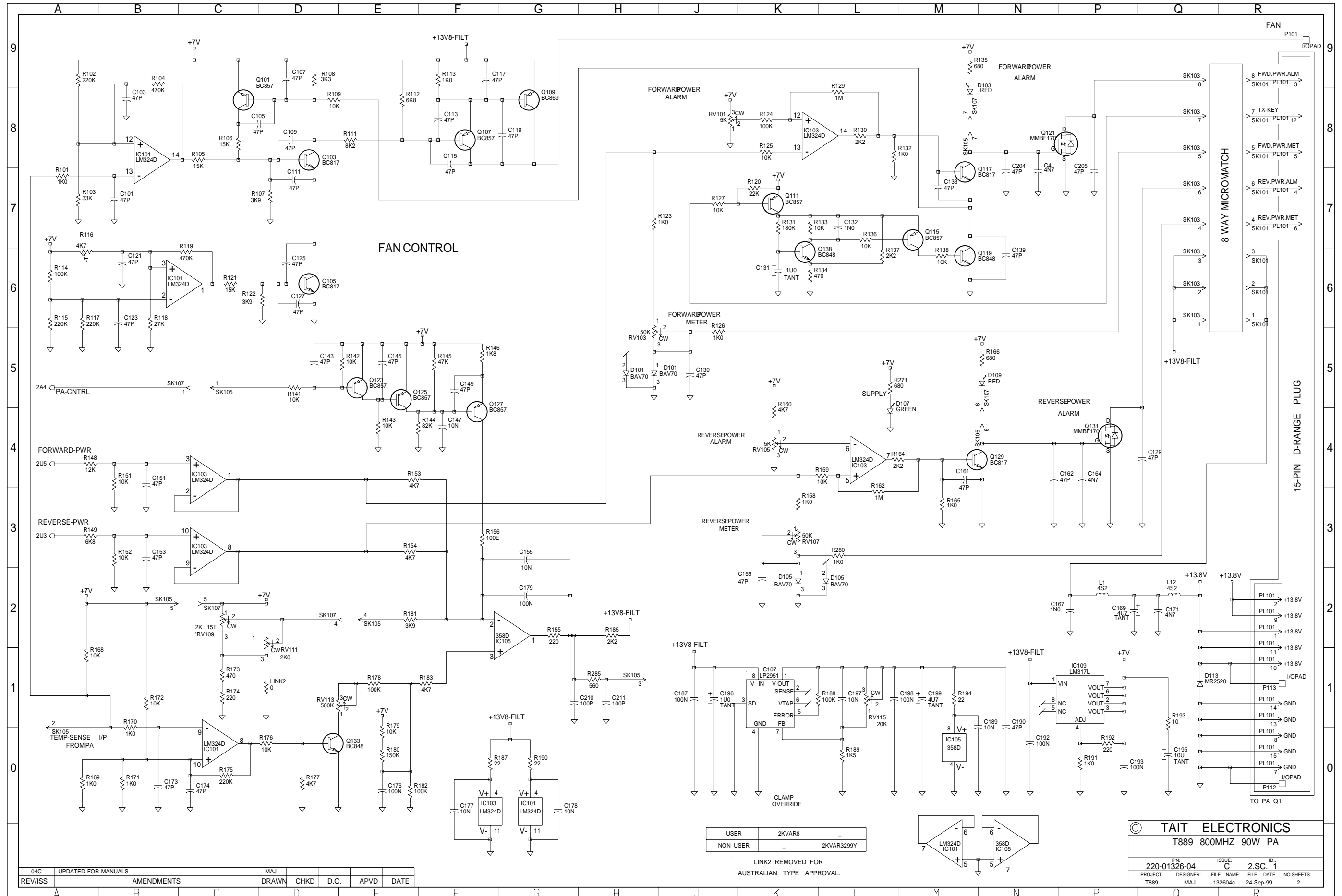


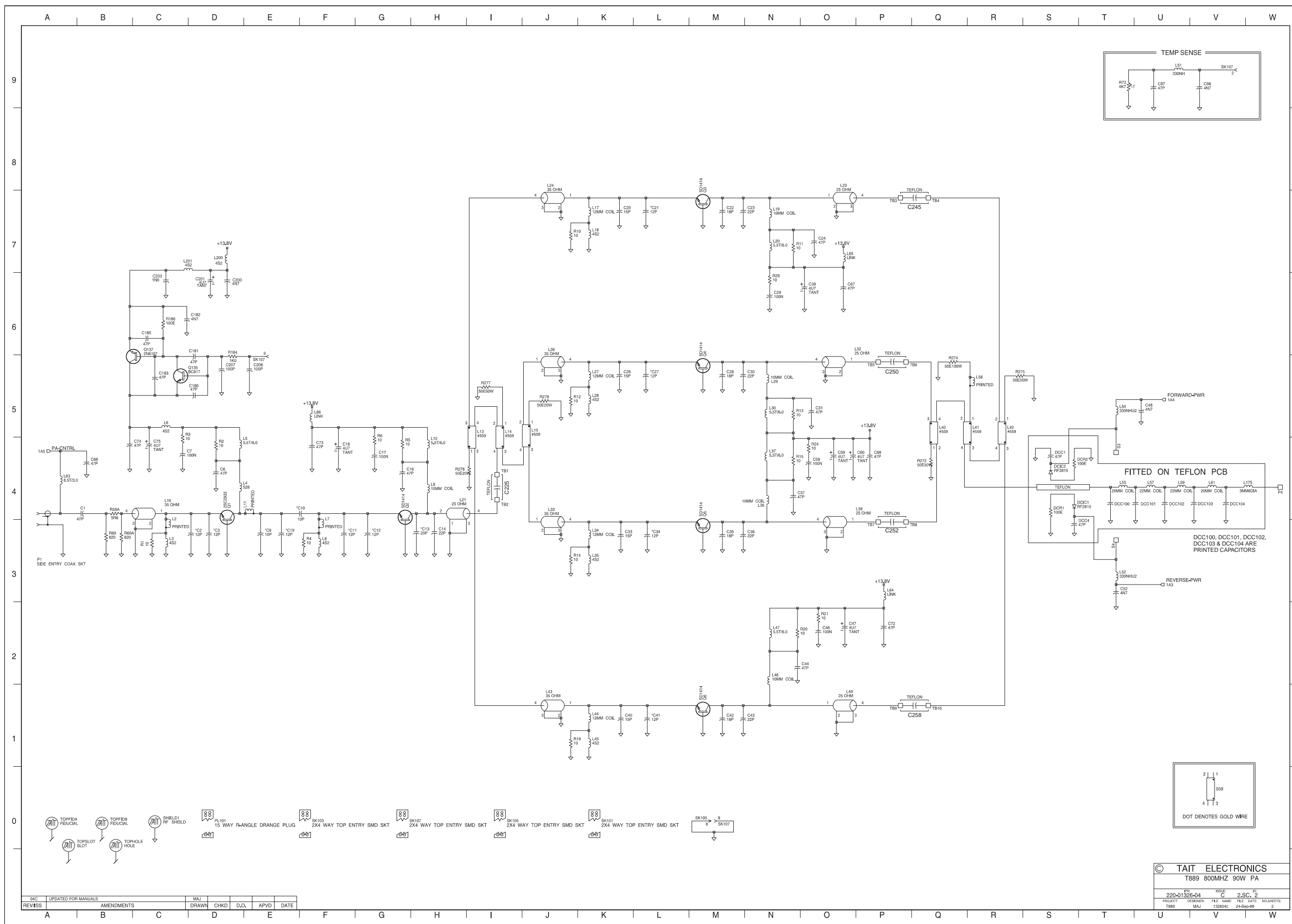
RV111 may be fitted instead of *RV109 to convert the output power adjustment to internal access only.



The circuitry for the break-off D-range PCB is shown on the control section circuit diagram.

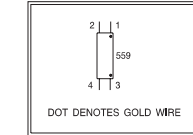
T889 PCB Layout - Top Side
220-01326-04





- TOPPDA FIDUCIAL
- TOPPDR FIDUCIAL
- SHIELD1 RF SHIELD
- SK101 15 WAY R-ANGLE DRANGE PLUG
- SK103 2X4 WAY TOP ENTRY SMD SKT
- SK107 2X4 WAY TOP ENTRY SMD SKT
- SK105 2X4 WAY TOP ENTRY SMD SKT
- SK101 2X4 WAY TOP ENTRY SMD SKT
- SK105 2X4 WAY TOP ENTRY SMD SKT

REV	DATE	BY	CHKD	D.O.	APVD
04C	21-Sep-09	MAJ	CHKD	D.O.	APVD



© TAIT ELECTRONICS	
T889 800MHZ 90W PA	
IPN	REV
220-01326-04	C 2.5G. 2
PROJECT	DESIGNER
T889	MAJ
FILE NAME	FILE DATE
132604c	21-Sep-09
NO. SHEETS	
2	